

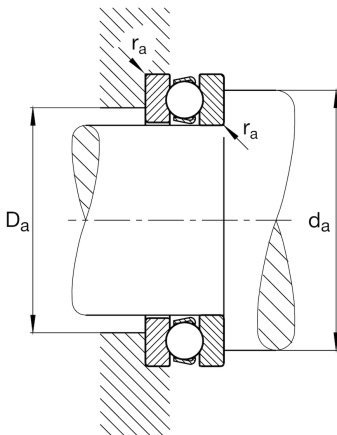
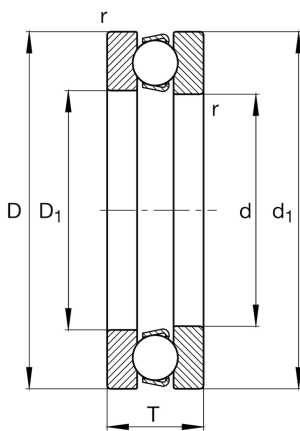
FAG

51112

Axial deep groove ball bearing

Schaeffler ID:  
0167147410000Axial deep groove ball bearing 511, single  
direction, steel sheet metal cage

## Technical information



## Main Dimensions &amp; Performance Data

d	60 mm	Inner diameter shaft washer
D	85 mm	Outer diameter housing washer
T	17 mm	Height
$C_a$	41.500 N	Basic dynamic load rating, axial
$C_{0a}$	113.000 N	Basic static load rating, axial
$C_{ua}$	5.200 N	Fatigue load limit, axial
$n_G$	5.500 1/min	Limiting speed
$n_{gr}$	4.650 1/min	Reference speed
	290 g	Weight

## Dimensions

$r_{min}$	1 mm	Minimum chamfer dimension
$D_1$	62 mm	Inner diameter housing washer
$d_1$	85 mm	Outer diameter shaft washer

## Mounting dimensions

$d_{a min}$	75 mm	Minimum diameter shaft shoulder
$D_{a max}$	70 mm	Maximum diameter of housing shoulder
$r_{a max}$	1 mm	Maximum filled radius

## Calculation factors

A	0,065	Minimum load factor
---	-------	---------------------

## Temperature range

$T_{min}$	-30 °C	Operating temperature min.
$T_{max}$	150 °C	Operating temperature max.